



VIDEO ENDOSCOPE

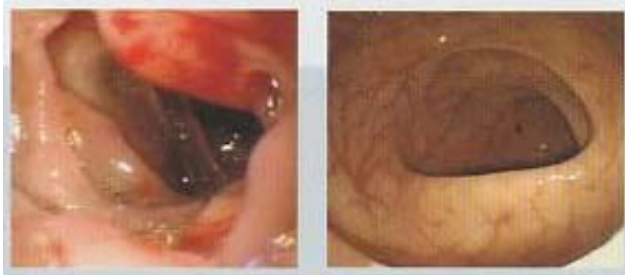
Upper gastrointestinal or / and colono video fiberscope.

First Class Optics:

The 120° angle of view improving light system enhances orientation and helps eliminate blind spots. The images are large and clear and the same quality image can be gained when using TV system.

Special Insertion Tube Flexibility:

The structure of the angle control is designed to fit the hand more ingenious. With the advanced technology, the insertion tube has specially flexibility characteristics. It can be inserted easily, decreasing the tiredness of the doctors and the pain of the patient.

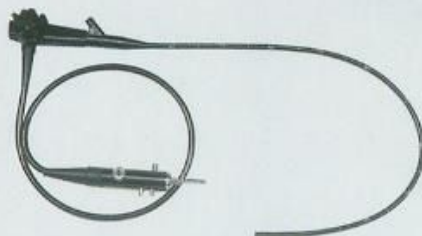




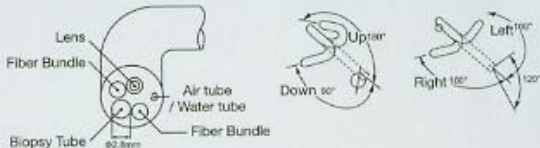
VIDEO ENDOSCOPE

Specifications:

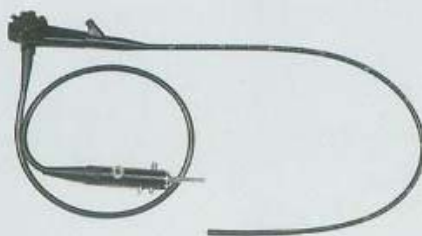
Video gastroscope: GVE-2100



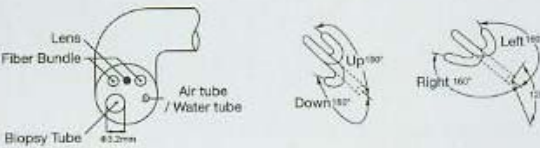
Optical system:	field of view 120°(direct)
Depth of view:	5-100mm
Tip Deflection:	180° (up), 90° (down), 100° (left), 100° (right)
Distal Rigid Diameter:	∅9.8mm
Insertion tube Diameter:	∅9.8mm
Biopsy tube:	∅2.8mm(inner)
Working length:	1050mm




Video colonoscope: CVE-2100L/I/S



Optical system:	field of view 120° (direct)
Depth of view:	5-100mm
Tip Deflection:	180° (up), 180° (down), 160° (left), 160° (right)
Distal Rigid Diameter:	∅13.5mm (with cover)
Insertion tube diameter:	∅12.9mm
Biopsy tube:	∅3.2mm(inner)
Working length:	1550mm /1330mm/600mm




Video processor: VEP-2100/2100F



Light source: HLS-2100P/SLS-2100P



Functions:	Window: Large,Media,Small; White Balance: Automatic; Enhancement: High,Middle,Low; Modification of the colour; Language: English,Germany,French; Adjustments parameters display; Automatic saving of the adjustments parameters; Able to freeze and store four different positions pictures**
Voltage:	220-240V/50-60HZ
Version:	PAL or NTSC
Lamp:	150W(Halogen Lamp) / 24W (short Arc Lamp)
Color temperature:	3200K/5600K*
Pump:	both durable and quiet pump
Pressure:	over 0.03Mpa
Voltage:	220-240V/50-60HZ